
MODEL: CHD-SERIES

- Double Acting - Hollow Centre
- Capacity : 30 - 100 Ton
- Stroke : 76mm - 257mm
- Maximum working pressure : 10,000 psi / 700 Bar

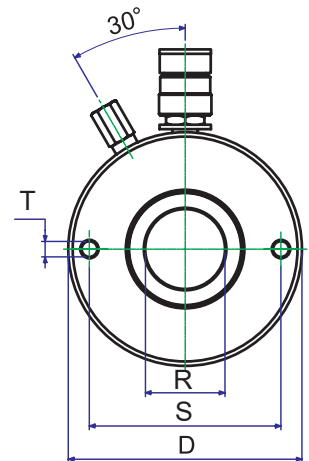
FEATURES

- Double Acting Cylinder
- Hard chrome plated piston rod
- Roller burnished cylinder bore
- Retract relief valve installed to protect against pressure intensification

SPECIFICATIONS

Base Plate Mounting Hole Dimensions

Model	S (mm)	T (ØUNC)
CHD307	92	3/8"-16
CHD3010	92	3/8"-16
CHD603	130	1/2"-13
CHD606	130	1/2"-13
CHD6010	130	1/2"-13
CHD1003	178	5/8"-11
CHD1006	178	5/8"-11
CHD10010	178	5/8"-11



Model	Cap Ton Push/Pull	Stroke (mm)	Oil Cap (cc) Push/Pull	Cyl. Effective Area (cm²)	A Retract Height (mm)	B Extend Height (mm)	C (mm)	D (Ømm)	E (Ømm)	F (Ømm)	G (mm)	H (mm)	J (Ømm)	K (ØUN)	L (mm)	M (mm)	N (ØUN)	P (mm)	R Centre Hole (Ømm)	Weight (kg)
CHD307	30 / 21	178	849 / 541	47.8	330	508	0.5	117	90	65	60.5	21.5	59.5	1 7/8"-16	25	14	4 1/2"-12	42	34	22
CHD3010		257	1226 / 782	47.8	431	688	10	117	90	65	60.5	21.5	59.5	1 7/8"-16	25	14	4 1/2"-12	42	34	27
CHD603	60 / 41	89	797 / 526	89.6	247.5	336.5	12.5	158.6	125	90	65	32	89	2 3/4"-16	25	14	6 1/4"-12	50	54	28
CHD606		165	1477 / 975	89.6	323.5	488.5	12.5	158.6	125	90	65	32	89	2 3/4"-16	25	14	6 1/4"-12	50	54	35
CHD6010		257	2300 / 1518	89.6	437.5	694.5	12.5	158.6	125	90	65	32	89	2 3/4"-16	25	14	6 1/4"-12	50	54	45
CHD1003	100 / 64	76	1086 / 692	143	254	330	12	213	165	125	82	38	125	4" - 16	30	19	8 3/8"-12	60	79	52
CHD1006		152	2172 / 1384	143	325	477	12	213	165	125	82	38	125	4" - 16	30	19	8 3/8"-12	60	79	65
CHD10010		256	3656 / 2331	143	462	718	12	213	165	125	82	38	125	4" - 16	30	19	8 3/8"-12	60	79	88